



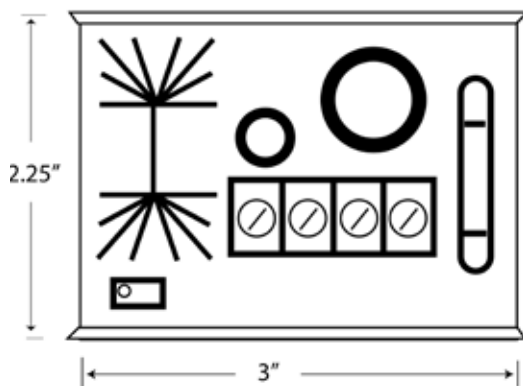
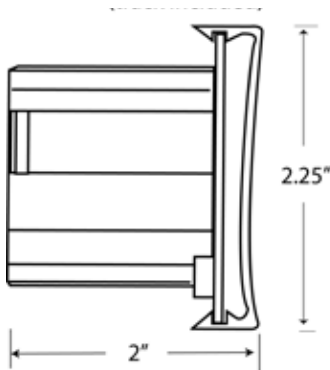
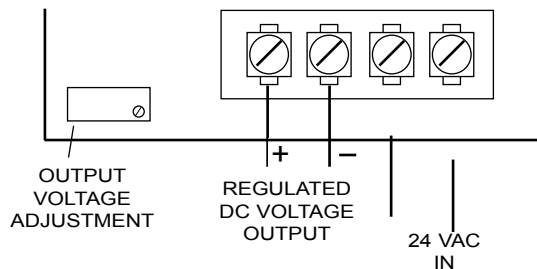
Features:

The PW 1.0 is a regulated 0.5 amp power supply that accepts 24 VAC at the input and provides 24 VDC at the output. Field voltage adjustments may be made using only a screwdriver. The power supply is provided with a mounting track for easy field application.

These low cost power supplies feature good regulation and have full overcurrent protection.

- ◇ Low Cost
- ◇ Regulated DC output
- ◇ Snap-track mounted
- ◇ Screw terminals with pressure plates

Wiring & Dimensions:



Specifications:

| | | |
|---------------------------------|------------------------|---|
| Voltage: | Input : | 24 VAC, 50/60 Hz |
| | Output: | 24 VDC (full wave rectified and regulated) adjustable 1.5 V - 29 VDC |
| Output Current: | | 0.5 amps |
| Over-current Protection: | | 1 amp fuse |
| Environment: | Operating Temperature: | 0 to 55°C (32 to 130°F) |
| | Max. Humidity: | 95% RH, noncondensing |
| Weight: | | 0.25 lb. |
| Mounting: | | snap-track included |

Ordering Information:

PART NUMBER
PW1.0