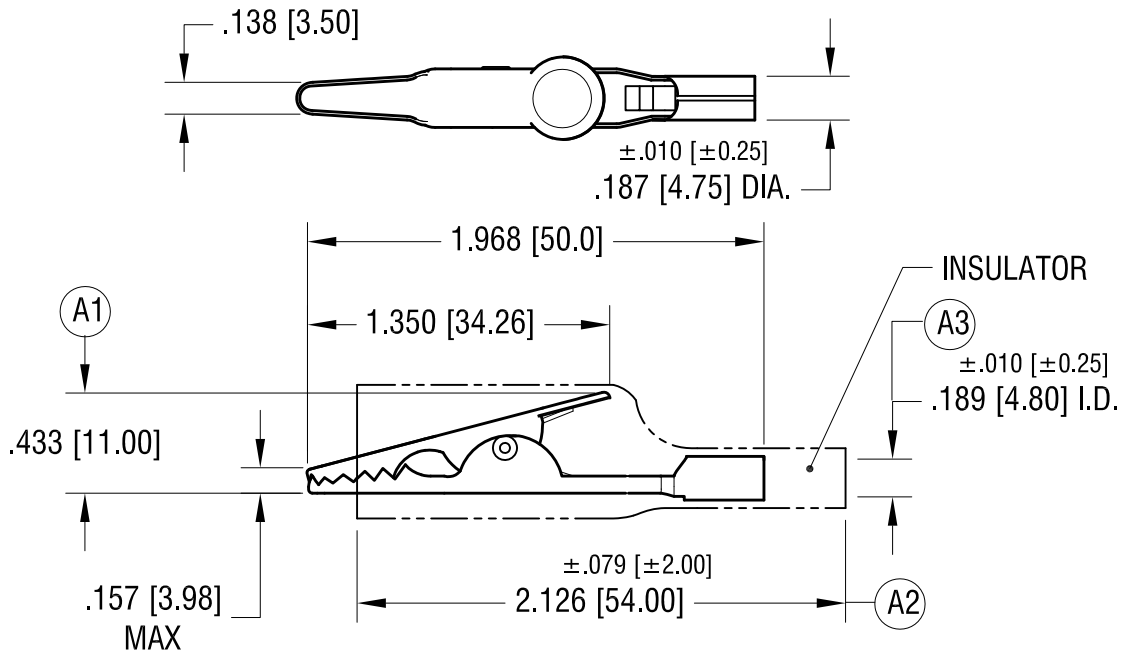
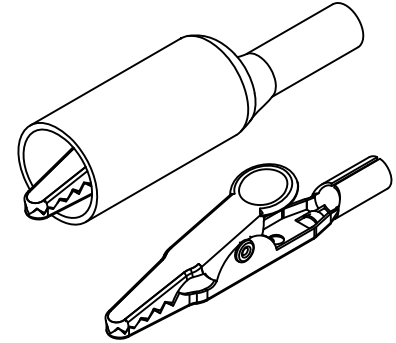


THIS DOCUMENT IS THE PROPERTY OF
KEYSTONE ELECTRONICS CORP. AND
SHALL NOT BE REPRODUCED, DISTRIBUTED
OR USED AS A BASIS FOR MANUFACTURE
WITHOUT PRIOR WRITTEN PERMISSION
FROM KEYSTONE ELECTRONICS CORP.

ACTUAL SIZE



PART NO.	COLOR, PVC INSULATOR	(A4)
5044	NO INSULATOR	
5045	RED	
5046	BLACK	

3.13.15 | (A1) WAS .445, (A2) WAS 2.20
(A3) WAS .200, (A4) WAS VINYL
CHANGE AS PER ECN 15-029

KEYSTONE ELECTRONICS CORP.
www.keyelco.com • ASTORIA, N.Y. 11105-2017 • Tel (718) 956-8900

PART NAME: LARGE ALLIGATOR CLIP

MATERIAL: STEEL

FINISH: NICKEL PLATE

DRN BY: NT DATE: 10.30.08
APP'D: LN SCALE: 1.2X

TOLERANCES INCH [MM]
DECIMAL $\pm .020 [\pm 0.50]$
ANGULAR $\pm 1^\circ$
UNLESS OTHERWISE SPECIFIED

CODE: C DWG NO.: 5044-5046

DATE	DESCRIPTION	REV.
		A