

M20 Connectors

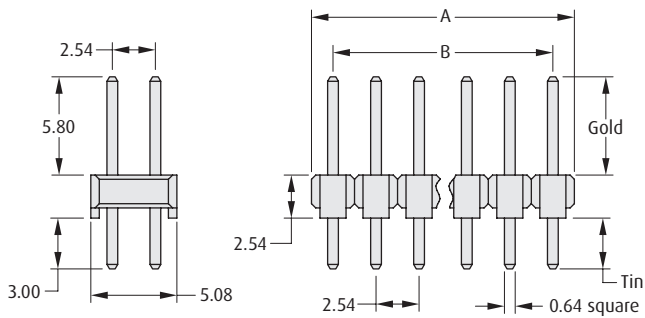
Male Vertical Double Row PC Tail

- Suitable for use with female connectors and jumper sockets shown on previous pages.
- Choice of mating pin lengths.
- Pin headers can be cut into smaller sizes.
- Also available with variable dimensions.

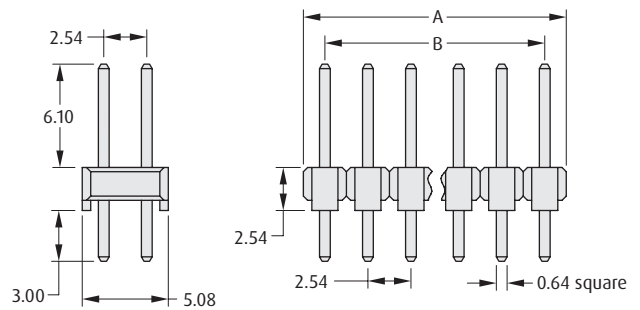


2.54mm (.100") PITCH

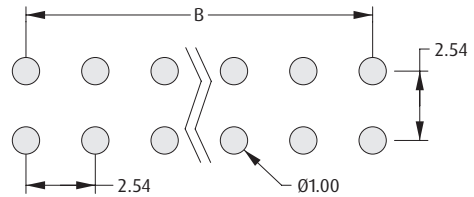
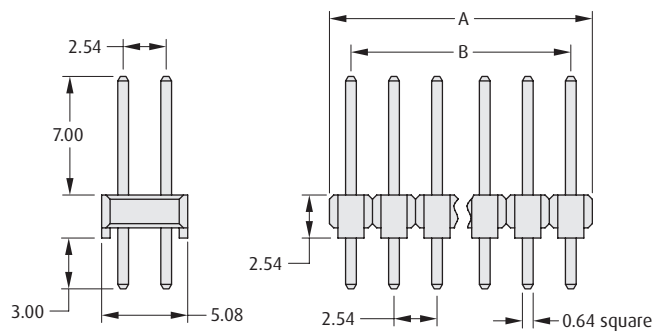
5.8mm



6.1mm



7.0mm



Recommended PC Board Pattern

CALCULATION

A	2.54 x No. of contacts per row
B	2.54 x (No. of contacts per row - 1)

HOW TO ORDER

M20 - 9 XX XX XX

SERIES CODE

TYPE

72	7.0mm Mating Height
76	5.8mm Mating Height
98	6.1mm Mating Height

FINISH

42	Gold + Tin (M20-976)
45	Gold (M20-972, 998)
46	Tin

NO. OF CONTACTS PER ROW

02 to 40

All dimensions in mm.