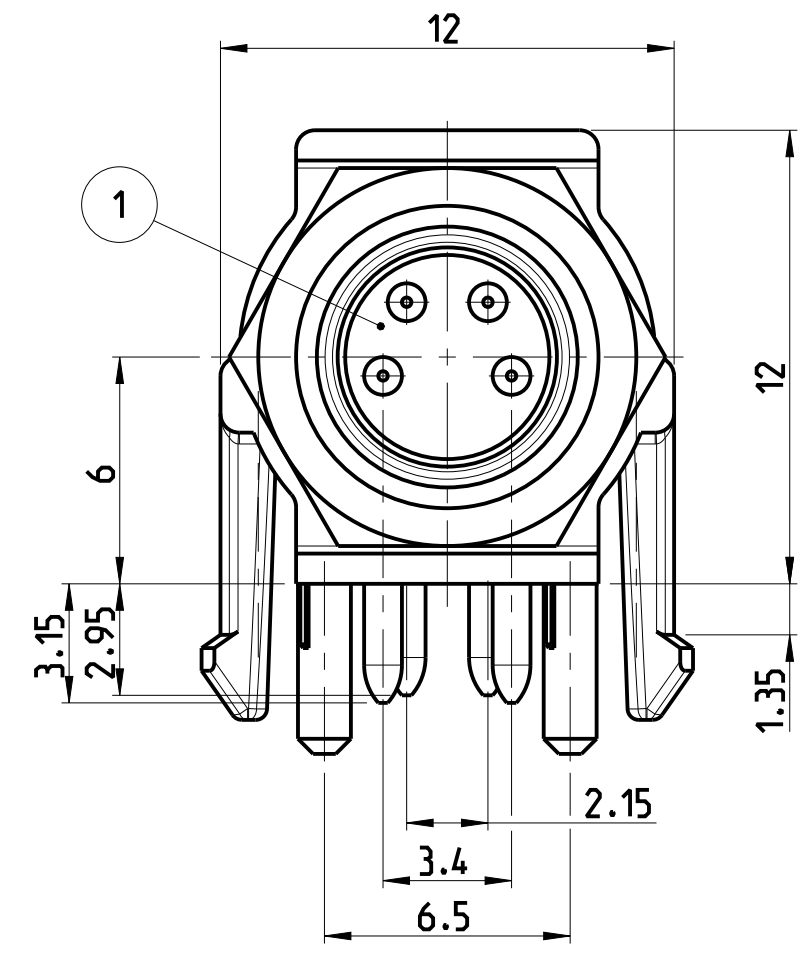
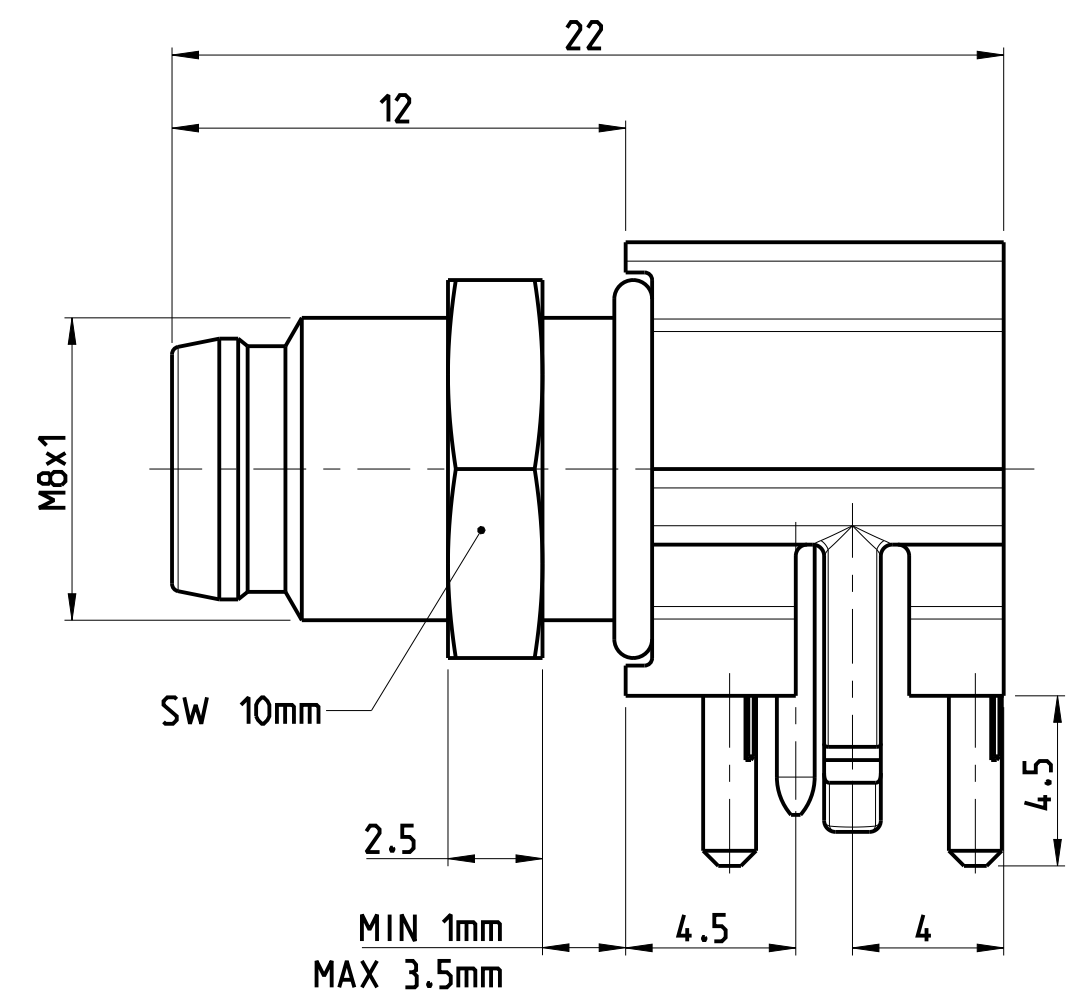


THIS DRAWING IS UNPUBLISHED.  
 VERTRÄGLICHE UNVERÖFFENTLICHTE ZEICHNUNG  
 © COPYRIGHT 2014 Tyco Electronics AMP GmbH  
 RELEASED FOR PUBLICATION  
 FREI FÜR VERÖFFENTLICHUNG  
 2014  
 ALL RIGHTS RESERVED.  
 ALLE RECHTE VORBEHALTEN.  
 MATED WITH  
 PASSEND ZU:

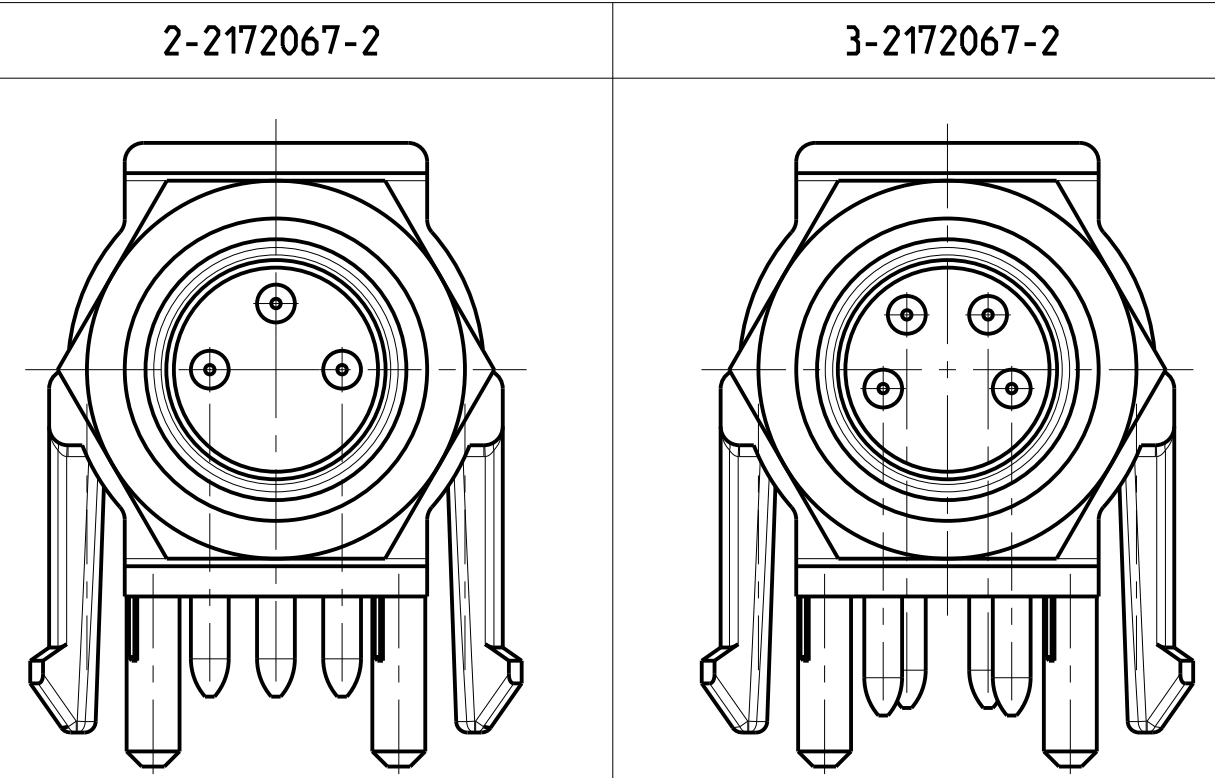
PROJECT NO.:  
 PRJ-11-000004377

REVISIONS		DATE	DWH	APVD
ÄNDERUNGEN				
P	LTR	DESCRIPTION		
		BESCHREIBUNG		
A		NEW RELEASE	04DEC2014	TJ PS

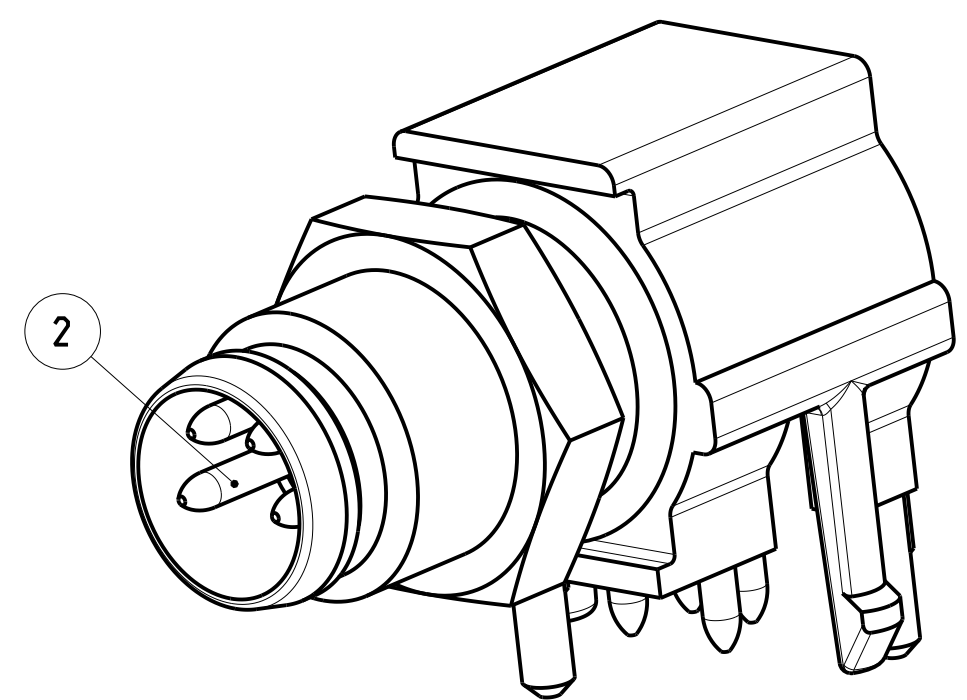
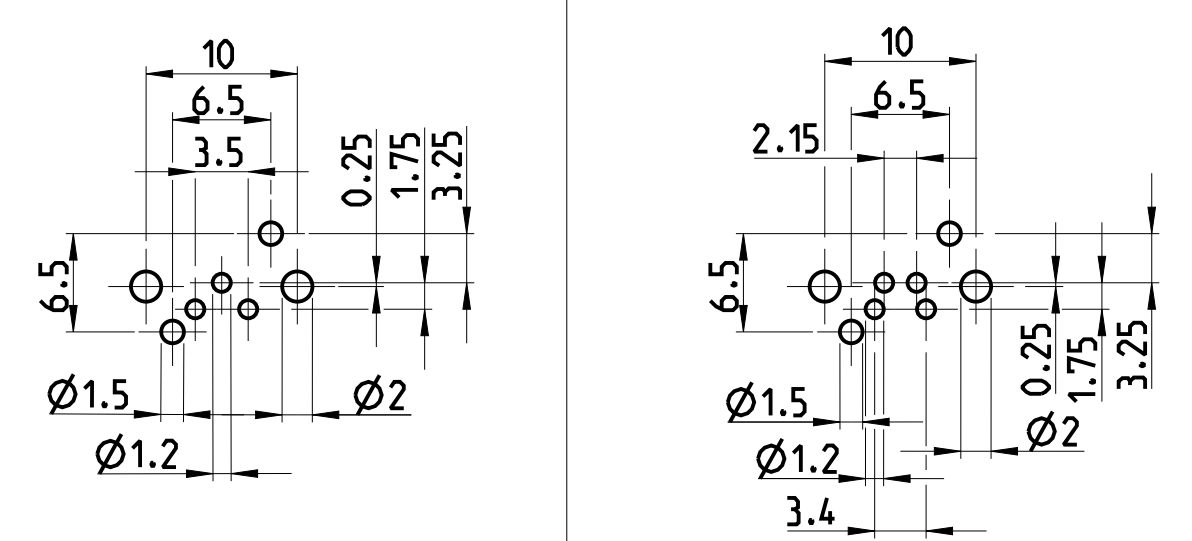
TECHNICAL DATA	2-2172067-2	3-2172067-2
RATED VOLTAGE	60V	30V
RATED IMPULSE VOLTAGE	800V	800V
POLLUTION DEGREE	3	3
OVERVOLTAGE CATEGORY	II	II
MATERIAL GROUP	II	II
RATED CURRENT	4A	4A
VOLUME RESISTIVITY	≤ 3mΩ	≤ 3mΩ
DEGREE OF PROTECTION	IP67	IP67
UPPER TEMPERATURE	+85 °C	+85 °C
LOWER TEMPERATURE	-40 °C	+40 °C



PIN ARRANGEMENT



CONDUCTOR LAYOUT



NOTES

- 1 MATERIAL: ITEM NO. 1: CONTACT BODY - PA  
 ITEM NO. 2: CONTACT - CuZn (BRASS)  
 CONTACT FINISH - Au (GOLD)
- 2 ALL DIMENSIONS ARE FOR NOMINAL REFERENCE ONLY UNLESS OTHERWISE STATED

⚠	4	3-2172067-2
⚠	3	2-2172067-2
MATERIAL	NUMBER OF POLES	TE-PART-NO.

DIESE ZEICHNUNG IST EIN KONTROLLIERTES DOKUMENT.  
 BEMASSUNGEN UND TOLERANZEN GEMAESS GPS (ISO STANDARDS).

THIS DRAWING IS A CONTROLLED DOCUMENT.  
 DIMENSIONING AND TOLERANCING PER GPS (ISO STANDARDS).

DIMENSIONS: MASSE IN MILLIMETERN [mm]	TOLERANCES UNLESS OTHERWISE SPECIFIED: ALLGEMEINE TOLERANZEN	DWH YASHKUMAR 25 JUL 2014 CHK M. BRUBAKER 25 JUL 2014 APVD M. BRUBAKER 25 JUL 2014
0 PLC ± 1 PLC ± 2 PLC ± 3 PLC ± 4 PLC ±	ANGLES/WINKEL ± FINISH/OBERFLÄCHE/FARBE	NAME M. BRUBAKER PRODUCT SPEC 108-19483 APPLICATION SPEC 114-32127 WEIGHT GEWICHT -
SEE NOTES	SEE NOTES	Customer Drawing

**STE** TE Connectivity

M8 RECEPTACLE, MALE, PCB MOUNT, ANGLED

SIZE A2	CAGE CODE 00779	DRAWING NO. C-2172067	RESTRICTED TO MUR FÜR -
SCALE MASSSTAB 5:1	SHEET BLATT 1 OF 1	REV A	

SIZE ISO 14405 (E)